

## Low Profile Shielded Power Inductors SNR Series



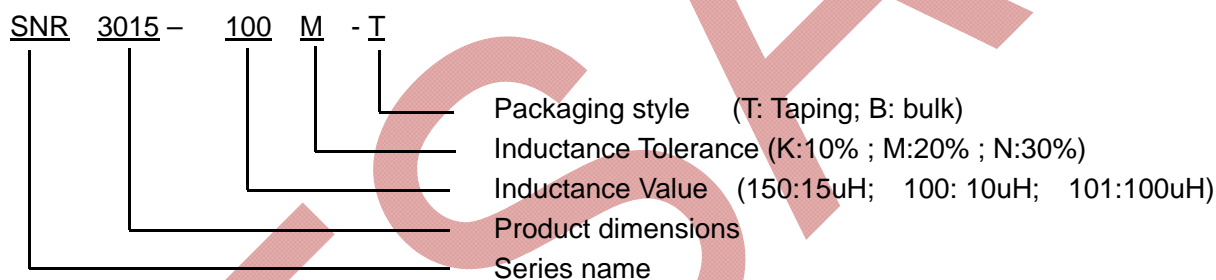
### FEATURES

- Small and low profile inductors.
- High current performance.
- High magnetic shield construction should actualize high resolution.
- Available for automatic mounting in tape and reel package.

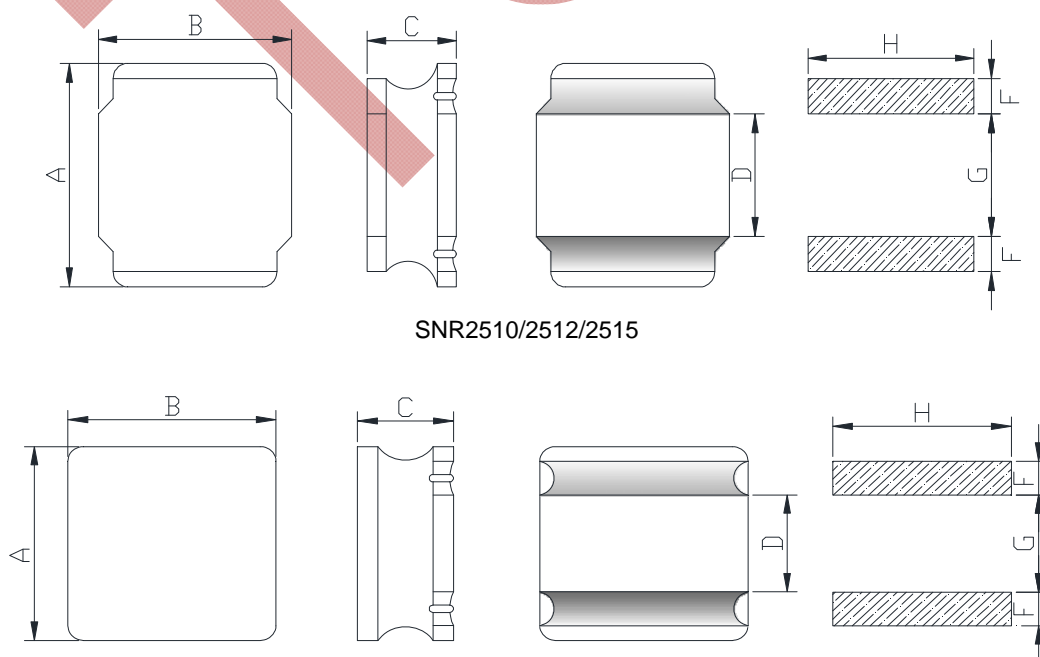
### APPLICATIONS

- Used in cellular Phone, HDD, DVC, DSC, PDA, LCD display, and other electronic equipment.

### PRODUCT IDENTIFICATION

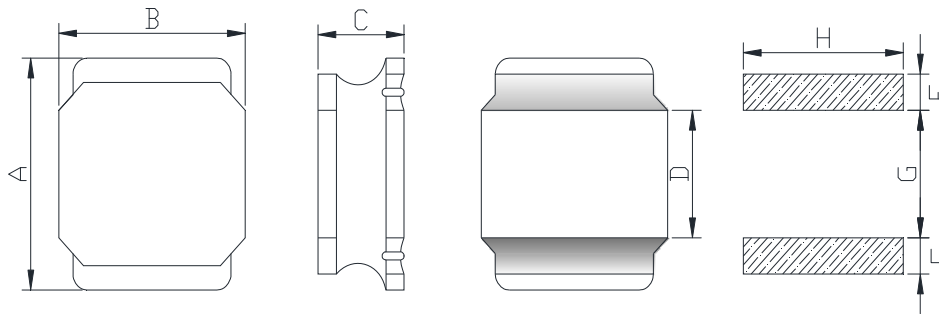


### SHAPES AND DIMENSIONS



SNR2510/2512/2515

SNR2410/3010/4010/4012/5012/5014/5020/6010/6012



SNR3012/3015/4018/40125/5040/6020/6028/6045/8040

Series	Dimensions(mm)						
	A	B	C	D	F	G	H
SNR2410	2.40±0.1	2.40±0.1	1.0 Max.	0.95	0.70	0.75	2.00
SNR2510	2.50±0.1	2.00±0.1	1.0 Max.	1.10	0.80	0.90	2.00
SNR2512	2.50±0.1	2.00±0.1	1.2 Max.	1.10	0.80	0.90	2.00
SNR2515	2.50±0.1	2.00±0.1	1.2 Max.	1.10	0.80	0.90	2.00
SNR3010	3.00±0.1	3.00±0.1	1.0 Max.	1.30	0.80	1.10	2.70
SNR3012	3.00±0.1	3.00±0.1	1.2 Max.	1.30	0.80	1.10	2.70
SNR3015	3.00±0.1	3.00±0.1	1.5 Max.	1.30	0.80	1.10	2.70
SNR4010	4.00±0.2	4.00±0.2	1.0 Max.	1.75	1.50	1.55	3.60
SNR4012	4.00±0.2	4.00±0.2	1.2 Max.	1.75	1.50	1.55	3.60
SNR4018	4.00±0.2	4.00±0.2	1.8 Max.	1.75	1.50	1.55	3.60
SNR4025	4.00±0.2	4.00±0.2	2.5 Max.	1.75	1.50	1.55	3.60
SNR5012	5.00±0.2	5.00±0.2	1.2 Max.	2.30	1.50	2.10	4.00
SNR5014	5.00±0.2	5.00±0.2	1.4 Max.	2.30	1.50	2.10	4.00
SNR5020	5.00±0.2	5.00±0.2	2.0 Max.	2.30	1.50	2.10	4.00
SNR5040	5.00±0.2	5.00±0.2	4.0 Max.	2.30	1.50	2.10	4.00
SNR6010	6.00±0.2	6.00±0.2	1.0 Max.	3.30	1.60	3.10	5.70
SNR6012	6.00±0.2	6.00±0.2	1.2 Max.	3.30	1.60	3.10	5.70
SNR6020	6.00±0.2	6.00±0.2	2.0 Max.	3.30	1.60	3.10	5.70
SNR6028	6.00±0.2	6.00±0.2	2.8 Max.	3.30	1.60	3.10	5.70
SNR6045	6.00±0.2	6.00±0.2	4.5 Max.	3.30	1.60	3.10	5.70
SNR8040	7.80±0.2	8.00±0.2	4.0 Max.	4.00	1.80	3.80	7.50

## ELECTRICAL CHARACTERISTICS

- **Isat:** DC current at which the inductance drops 30% from its value without current.
- **Irms:** Current that causes a 40°C temperature rise from 25°C ambient.

Part Number	L(uH)	Test Freq.(KHz)	DCR max.(Ω)	Isat(A)	Irms(A)
SNR2410-R68NT	0.68	100	0.072	2.20	1.57
SNR2410-1R0NT	1.00	100	0.084	1.80	1.41
SNR2410-1R5MT	1.50	100	0.132	1.55	1.16
SNR2410-2R2MT	2.20	100	0.180	1.29	0.97
SNR2410-3R3MT	3.30	100	0.264	1.00	0.77
SNR2410-4R7MT	4.70	100	0.348	0.88	0.67
SNR2410-6R8MT	6.80	100	0.492	0.75	0.57
SNR2410-100MT	10	100	0.828	0.55	0.45
SNR2410-150MT	15	100	1.224	0.47	0.37
SNR2410-220MT	22	100	1.764	0.39	0.30

Part Number	L(uH)	Test Freq.(KHz)	DCR max.(Ω)	Isat(A)	Irms(A)
SNR2510-R47NT	0.47	100	0.046	2.50	2.65
SNR2510-R68NT	0.68	100	0.062	2.05	2.20
SNR2510-1R0NT	1.00	100	0.084	1.75	1.90
SNR2510-1R5MT	1.50	100	0.128	1.45	1.50
SNR2510-2R2MT	2.20	100	0.190	1.20	1.20
SNR2510-3R3MT	3.30	100	0.275	0.94	1.00
SNR2510-4R7MT	4.70	100	0.398	0.80	0.82
SNR2510-6R8MT	6.80	100	0.532	0.68	0.71
SNR2510-100MT	10	100	0.854	0.56	0.55

Part Number	L(uH)	Test Freq.(KHz)	DCR max.(Ω)	Isat(A)	Irms(A)
SNR2512-R47NT	0.47	100	0.056	2.75	2.15
SNR2512-1R0NT	1.00	100	0.087	2.20	1.70
SNR2512-1R5MT	1.50	100	0.126	1.80	1.45
SNR2512-2R2MT	2.20	100	0.154	1.55	1.30
SNR2512-3R3MT	3.30	100	0.272	1.25	0.98
SNR2512-4R7MT	4.70	100	0.405	1.05	0.81
SNR2512-6R8MT	6.80	100	0.612	0.85	0.65
SNR2512-100MT	10	100	0.756	0.73	0.59

Part Number	L(uH)	Test Freq.(KHz)	DCR max.(Ω)	Isat(A)	Irms(A)
SNR2515-1R0NT	1.00	100	0.082	1.95	1.75
SNR2515-1R5MT	1.50	100	0.120	1.75	1.45
SNR2515-2R2MT	2.20	100	0.160	1.50	1.25
SNR2515-3R3MT	3.30	100	0.219	1.20	1.05
SNR2515-4R7MT	4.70	100	0.318	1.00	0.89
SNR2515-6R8MT	6.80	100	0.480	0.85	0.73
SNR2515-100MT	10	100	0.588	0.72	0.66

Part Number	L(uH)	Test Freq.(KHz)	DCR max.(Ω)	Isat(A)	Irms(A)
SNR3010-1R0NT	1.00	100	0.078	1.30	1.40
SNR3010-1R5MT	1.50	100	0.096	1.20	1.30
SNR3010-2R2MT	2.20	100	0.114	1.10	1.10
SNR3010-3R3MT	3.30	100	0.168	0.87	0.94
SNR3010-4R7MT	4.70	100	0.228	0.75	0.78
SNR3010-6R8MT	6.80	100	0.360	0.61	0.63
SNR3010-100MT	10	100	0.450	0.50	0.51
SNR3010-150MT	15	100	0.888	0.40	0.40
SNR3010-220MT	22	100	1.236	0.35	0.35
SNR3010-330MT	33	100	1.860	0.26	0.28
SNR3010-470MT	47	100	2.460	0.22	0.24

Part Number	L(uH)	Test Freq.(KHz)	DCR max.(Ω)	Isat(A)	Irms(A)
SNR3012-1R0NT	1.00	100	0.060	1.60	1.55
SNR3012-1R5MT	1.50	100	0.070	1.40	1.40
SNR3012-2R2MT	2.20	100	0.090	1.10	1.20
SNR3012-3R3MT	3.30	100	0.115	0.90	1.00
SNR3012-4R7MT	4.70	100	0.150	0.80	0.95
SNR3012-6R8MT	6.80	100	0.216	0.66	0.75
SNR3012-100MT	10	100	0.339	0.55	0.65
SNR3012-150MT	15	100	0.540	0.44	0.49
SNR3012-220MT	22	100	0.756	0.38	0.42
SNR3012-330MT	33	100	1.236	0.31	0.33
SNR3012-470MT	47	100	1.740	0.25	0.28

Part Number	L(uH)	Test Freq.(KHz)	DCR max.(Ω)	Isat(A)	Irms(A)
SNR3015-1R0NT	1.00	100	0.043	2.10	2.02
SNR3015-1R5MT	1.50	100	0.054	1.70	1.77
SNR3015-2R2MT	2.20	100	0.075	1.50	1.50
SNR3015-3R3MT	3.30	100	0.105	1.20	1.21
SNR3015-4R7MT	4.70	100	0.140	1.00	1.10
SNR3015-6R8MT	6.80	100	0.198	0.88	0.88
SNR3015-100MT	10	100	0.281	0.75	0.71
SNR3015-150MT	15	100	0.432	0.56	0.56
SNR3015-220MT	22	100	0.683	0.45	0.46
SNR3015-330MT	33	100	1.008	0.39	0.37
SNR3015-470MT	47	100	1.748	0.32	0.29

Part Number	L(uH)	Test Freq.(KHz)	DCR max.(Ω)	Isat(A)	Irms(A)
SNR4010-1R0NT	1.00	100	0.120	1.80	1.05
SNR4010-2R2MT	2.20	100	0.180	1.15	0.89
SNR4010-3R3MT	3.30	100	0.216	1.10	0.82
SNR4010-4R7MT	4.70	100	0.252	0.90	0.75
SNR4010-6R8MT	6.80	100	0.360	0.74	0.62
SNR4010-100MT	10	100	0.456	0.56	0.60
SNR4010-150MT	15	100	0.612	0.47	0.51
SNR4010-220MT	22	100	1.044	0.36	0.40
SNR4010-330MT	33	100	1.385	0.28	0.30
SNR4010-470MT	47	100	2.172	0.24	0.28

Part Number	L(uH)	Test Freq.(KHz)	DCR max.(Ω)	Isat(A)	Irms(A)
SNR4012-1R0NT	1.00	100	0.072	2.50	1.50
SNR4012-2R2MT	2.20	100	0.108	1.65	1.20
SNR4012-3R3MT	3.30	100	0.156	1.20	0.98
SNR4012-4R7MT	4.70	100	0.168	1.05	0.96
SNR4012-6R8MT	6.80	100	0.216	0.90	0.84
SNR4012-100MT	10	100	0.288	0.74	0.77
SNR4012-150MT	15	100	0.480	0.56	0.60
SNR4012-220MT	22	100	0.576	0.51	0.54
SNR4012-330MT	33	100	0.972	0.40	0.42
SNR4012-470MT	47	100	1.200	0.35	0.37

Part Number	L(uH)	Test Freq.(KHz)	DCR max.(Ω)	Isat(A)	Irms(A)
SNR4018-1R0NT	1.00	100	0.032	3.95	1.90
SNR4018-1R5MT	1.50	100	0.041	2.90	1.80
SNR4018-2R2MT	2.20	100	0.048	2.70	1.50
SNR4018-3R3MT	3.30	100	0.078	2.00	1.30
SNR4018-4R7MT	4.70	100	0.150	1.70	1.25
SNR4018-6R8MT	6.80	100	0.160	1.45	1.06
SNR4018-100MT	10	100	0.180	1.20	0.90
SNR4018-150MT	15	100	0.300	0.94	0.65
SNR4018-220MT	22	100	0.432	0.80	0.59
SNR4018-330MT	33	100	0.636	0.65	0.49
SNR4018-470MT	47	100	0.780	0.57	0.42
SNR4018-680MT	68	100	1.200	0.47	0.32
SNR4018-101MT	100	100	1.800	0.40	0.27
SNR4018-151MT	150	100	3.000	0.31	0.22
SNR4018-221MT	220	100	4.800	0.27	0.17

Part Number	L(uH)	Test Freq.(KHz)	DCR max.(Ω)	Isat(A)	Irms(A)
SNR4025-1R0NT	1.00	100	0.022	3.10	2.40
SNR4025-2R2MT	2.20	100	0.037	2.10	2.00
SNR4025-3R3MT	3.30	100	0.057	1.80	1.70
SNR4025-4R7MT	4.70	100	0.066	1.40	1.60
SNR4025-6R8MT	6.80	100	0.078	1.30	1.50
SNR4025-100MT	10	100	0.115	1.00	1.20
SNR4025-150MT	15	100	0.132	0.90	1.10
SNR4025-220MT	22	100	0.198	0.61	0.90
SNR4025-330MT	33	100	0.240	0.54	0.80
SNR4025-470MT	47	100	0.360	0.41	0.65

Part Number	L(uH)	Test Freq.(KHz)	DCR max.(Ω)	Isat(A)	Irms(A)
SNR5012-1R0NT	1.00	100	0.064	4.50	2.30
SNR5012-1R5NT	1.50	100	0.084	3.80	2.20
SNR5012-2R2MT	2.20	100	0.102	3.10	2.00
SNR5012-3R3MT	3.30	100	0.192	2.40	1.45
SNR5012-4R7MT	4.70	100	0.216	2.20	1.40
SNR5012-6R8MT	6.80	100	0.312	1.70	1.10
SNR5012-100MT	10	100	0.504	1.40	0.85

Part Number	L(uH)	Test Freq.(KHz)	DCR max.(Ω)	Isat(A)	Irms(A)
SNR5014-1R2NT	1.20	100	0.054	3.80	2.80
SNR5014-2R2NT	2.20	100	0.078	2.80	2.30
SNR5014-3R3NT	3.30	100	0.096	2.35	2.10
SNR5014-4R7NT	4.70	100	0.120	2.05	1.80

Part Number	L(uH)	Test Freq.(KHz)	DCR max.(Ω)	Isat(A)	Irms(A)
SNR5020-1R0NT	1.00	100	0.025	4.00	3.60
SNR5020-1R5NT	1.50	100	0.031	3.35	3.20
SNR5020-2R2NT	2.20	100	0.042	2.90	2.90
SNR5020-3R3NT	3.30	100	0.058	2.40	2.40
SNR5020-4R7MT	4.70	100	0.072	2.00	2.00
SNR5020-6R8MT	6.80	100	0.108	1.60	1.65
SNR5020-100MT	10	100	0.144	1.30	1.45
SNR5020-150MT	15	100	0.198	1.10	1.20
SNR5020-220MT	22	100	0.312	0.90	1.00

Part Number	L(uH)	Test Freq.(KHz)	DCR max.(Ω)	Isat(A)	Irms(A)
SNR5040-1R0NT	1.00	100	0.024	6.00	3.60
SNR5040-2R2MT	2.20	100	0.026	4.60	3.50
SNR5040-3R3MT	3.30	100	0.032	3.80	3.30
SNR5040-4R7MT	4.70	100	0.035	3.30	3.10
SNR5040-6R8MT	6.80	100	0.059	2.60	2.30
SNR5040-100MT	10	100	0.067	2.30	2.10
SNR5040-150MT	15	100	0.096	2.00	1.80
SNR5040-220MT	22	100	0.151	1.60	1.40
SNR5040-330MT	33	100	0.216	1.30	1.20
SNR5040-470MT	47	100	0.372	1.10	0.90

Part Number	L(uH)	Test Freq.(KHz)	DCR max.(Ω)	Isat(A)	Irms(A)
SNR6010-1R0NT	1.00	100	0.108	2.40	1.90
SNR6010-2R2MT	2.20	100	0.132	1.90	1.70
SNR6010-3R3MT	3.30	100	0.162	1.60	1.50
SNR6010-4R7MT	4.70	100	0.198	1.30	1.40
SNR6010-6R8MT	6.80	100	0.264	1.20	1.20
SNR6010-100MT	10	100	0.324	1.00	1.10

Part Number	L(uH)	Test Freq.(KHz)	DCR max.(Ω)	Isat(A)	Irms(A)
SNR6010-2R5NT	2.50	100	0.108	2.10	1.73
SNR6010-4R0NT	4.00	100	0.126	1.80	1.57
SNR6010-5R3MT	5.30	100	0.150	1.50	1.40
SNR6010-6R8MT	6.80	100	0.198	1.30	1.18
SNR6010-100MT	10	100	0.282	1.00	1.00
SNR6010-150MT	15	100	0.396	0.80	0.79
SNR6010-220MT	22	100	0.636	0.76	0.63
SNR6010-330MT	33	100	0.840	0.59	0.53
SNR6010-470MT	47	100	1.260	0.52	0.46
SNR6010-680MT	68	100	1.620	0.44	0.41
SNR6010-101MT	100	100	2.616	0.35	0.32

Part Number	L(uH)	Test Freq.(KHz)	DCR max.(Ω)	Isat(A)	Irms(A)
SNR6020-R80NT	0.80	100	0.022	5.40	3.85
SNR6020-1R5NT	1.50	100	0.027	4.00	3.30
SNR6020-2R2NT	2.20	100	0.037	3.10	2.80
SNR6020-3R3NT	3.30	100	0.045	2.80	2.65
SNR6020-4R7MT	4.70	100	0.066	2.40	2.10
SNR6020-6R8MT	6.80	100	0.096	2.00	1.85
SNR6020-100MT	10	100	0.144	1.70	1.50
SNR6020-220MT	22	100	0.330	1.00	1.00

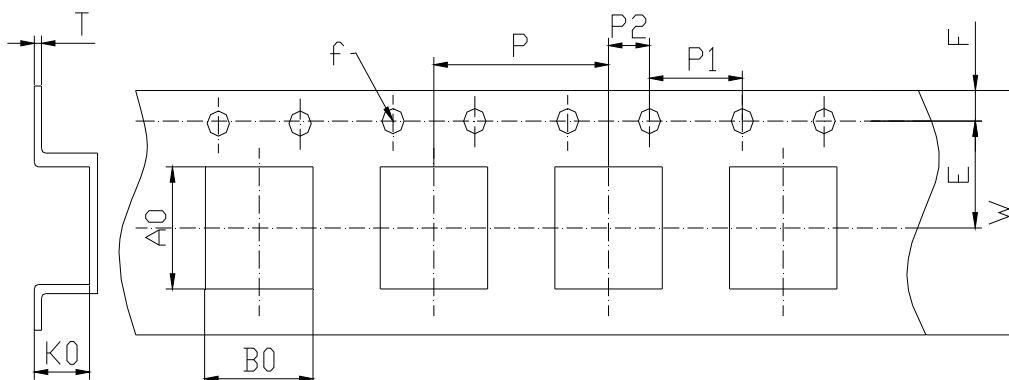
Part Number	L(uH)	Test Freq.(KHz)	DCR max.(Ω)	Isat(A)	Irms(A)
SNR6028-R90NT	0.90	100	0.016	6.60	4.60
SNR6028-1R5NT	1.50	100	0.019	5.00	4.20
SNR6028-2R2NT	2.20	100	0.024	4.20	3.70
SNR6028-3R0MT	3.00	100	0.028	3.60	3.40
SNR6028-4R7MT	4.70	100	0.037	2.70	3.00
SNR6028-6R0MT	6.00	100	0.048	2.50	2.50
SNR6028-100MT	10	100	0.078	1.90	1.90
SNR6028-150MT	15	100	0.114	1.60	1.80
SNR6028-220MT	22	100	0.162	1.30	1.40
SNR6028-330MT	33	100	0.264	1.10	1.10
SNR6028-470MT	47	100	0.360	0.95	0.92
SNR6028-680MT	68	100	0.504	0.76	0.77
SNR6028-101MT	100	100	0.720	0.62	0.66



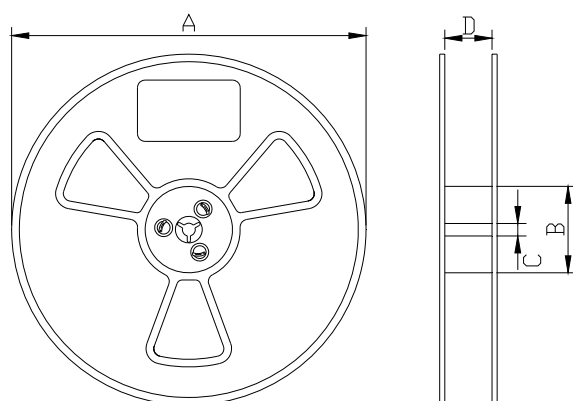
Part Number	L(uH)	Test Freq.(KHz)	DCR max.(Ω)	Isat(A)	Irms(A)
SNR6045-1R0NT	1.00	100	0.015	8.50	4.30
SNR6045-1R3NT	1.30	100	0.017	8.00	4.15
SNR6045-1R8NT	1.80	100	0.020	7.00	3.80
SNR6045-2R2NT	2.20	100	0.022	6.00	3.60
SNR6045-3R0MT	3.00	100	0.026	5.00	3.25
SNR6045-4R7MT	4.70	100	0.035	4.00	3.00
SNR6045-6R8MT	6.80	100	0.039	3.70	2.85
SNR6045-100MT	10	100	0.051	2.80	2.60
SNR6045-150MT	15	100	0.086	2.30	2.20
SNR6045-220MT	22	100	0.110	1.90	1.55
SNR6045-330MT	33	100	0.162	1.50	1.45
SNR6045-470MT	47	100	0.240	1.30	1.20
SNR6045-680MT	68	100	0.360	1.00	1.00
SNR6045-101MT	100	100	0.540	0.80	0.75

Part Number	L(uH)	Test Freq.(KHz)	DCR max.(Ω)	Isat(A)	Irms(A)
SNR8040-R90NT	0.90	100	0.007	11.0	7.80
SNR8040-1R4NT	1.40	100	0.009	9.00	7.00
SNR8040-2R2MT	2.20	100	0.013	7.00	6.30
SNR8040-3R9MT	3.90	100	0.020	5.30	4.90
SNR8040-4R7MT	4.70	100	0.021	4.70	4.20
SNR8040-6R8MT	6.80	100	0.030	4.00	3.70
SNR8040-100MT	10	100	0.047	3.40	2.95
SNR8040-150MT	15	100	0.060	2.70	2.40
SNR8040-220MT	22	100	0.076	2.30	2.20
SNR8040-330MT	33	100	0.105	1.80	1.80
SNR8040-470MT	47	100	0.183	1.50	1.40
SNR8040-680MT	68	100	0.247	1.20	1.10
SNR8040-101MT	100	100	0.364	1.10	1.00

## SRI Series Packaging



SIZE	A0	B0	E	F	f	P	P1	P2	W	T	K0
SNR2410	2.65	2.65	5.50	1.75	1.50	4.00	4.00	2.00	8.00	0.25	1.25
SNR2510	2.73	2.23	5.50	1.75	1.50	4.00	4.00	2.00	8.00	0.25	1.30
SNR2512	2.73	2.23	5.50	1.75	1.50	4.00	4.00	2.00	8.00	0.25	1.50
SNR2515	2.73	2.23	5.50	1.75	1.50	4.00	4.00	2.00	8.00	0.25	1.80
SNR3010	3.25	3.25	5.50	1.75	1.50	4.00	4.00	2.00	8.00	0.25	1.25
SNR3012	3.25	3.25	5.50	1.75	1.50	4.00	4.00	2.00	8.00	0.25	1.45
SNR3015	3.25	3.25	5.50	1.75	1.50	4.00	4.00	2.00	8.00	0.25	1.75
SNR4010	4.30	4.30	5.50	1.75	1.50	8.00	4.00	2.00	12.00	0.25	1.25
SNR4012	4.30	4.30	5.50	1.75	1.50	8.00	4.00	2.00	12.00	0.25	1.45
SNR4018	4.30	4.30	5.50	1.75	1.50	8.00	4.00	2.00	12.00	0.25	2.05
SNR4025	4.30	4.30	5.50	1.75	1.50	8.00	4.00	2.00	12.00	0.25	2.75
SNR5012	5.40	5.40	5.50	1.75	1.50	12.00	4.00	2.00	16.00	0.25	1.45
SNR5014	5.40	5.40	5.50	1.75	1.50	12.00	4.00	2.00	16.00	0.25	1.65
SNR5020	5.40	5.40	5.50	1.75	1.50	12.00	4.00	2.00	16.00	0.25	2.25
SNR5040	5.40	5.40	5.50	1.75	1.50	12.00	4.00	2.00	16.00	0.25	4.25
SNR6010	6.40	6.40	5.50	1.75	1.50	12.00	4.00	2.00	16.00	0.25	1.25
SNR6012	6.40	6.40	5.50	1.75	1.50	12.00	4.00	2.00	16.00	0.25	1.45
SNR6020	6.40	6.40	5.50	1.75	1.50	12.00	4.00	2.00	16.00	0.25	2.25
SNR6028	6.40	6.40	5.50	1.75	1.50	12.00	4.00	2.00	16.00	0.25	3.05
SNR6045	6.40	6.40	5.50	1.75	1.50	12.00	4.00	2.00	16.00	0.25	4.75
SNR8040	8.20	8.40	5.50	1.75	1.50	12.00	4.00	2.00	16.00	0.25	4.25



SIZE	A	B	C	D	Reel/PCS
SNR2410	178	60	13	8.5	2000
SNR2510	178	60	13	8.5	2000
SNR2512	178	60	13	8.5	2000
SNR2515	178	60	13	8.5	2000
SNR3010	178	60	13	8.5	2000
SNR3012	178	60	13	8.5	2000
SNR3015	178	60	13	8.5	2000
SNR4010	330	100	13	12.5	4000
SNR4012	330	100	13	12.5	4000
SNR4018	330	100	13	12.5	3000
SNR4025	330	100	13	12.5	3000
SNR5012	330	100	13	16.5	3000
SNR5014	330	100	13	16.5	3000
SNR5020	330	100	13	16.5	2000
SNR5040	330	100	13	16.5	1000
SNR6010	330	100	13	16.5	3000
SNR6012	330	100	13	16.5	3000
SNR6020	330	100	13	16.5	2000
SNR6028	330	100	13	16.5	1500
SNR6045	330	100	13	16.5	1000
SNR8040	330	100	13	16.5	1000