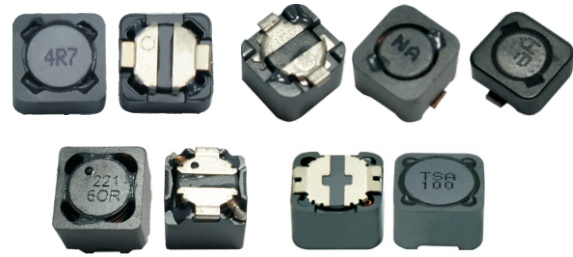


FEATURES

- To be high saturation for surface mounting.
- Surface mount inductor with high current rating.
- Low resistance to keep power loss minimum.
- Packed in embossed carrier tape and can be used by automatic mounting machine.



APPLICATIONS

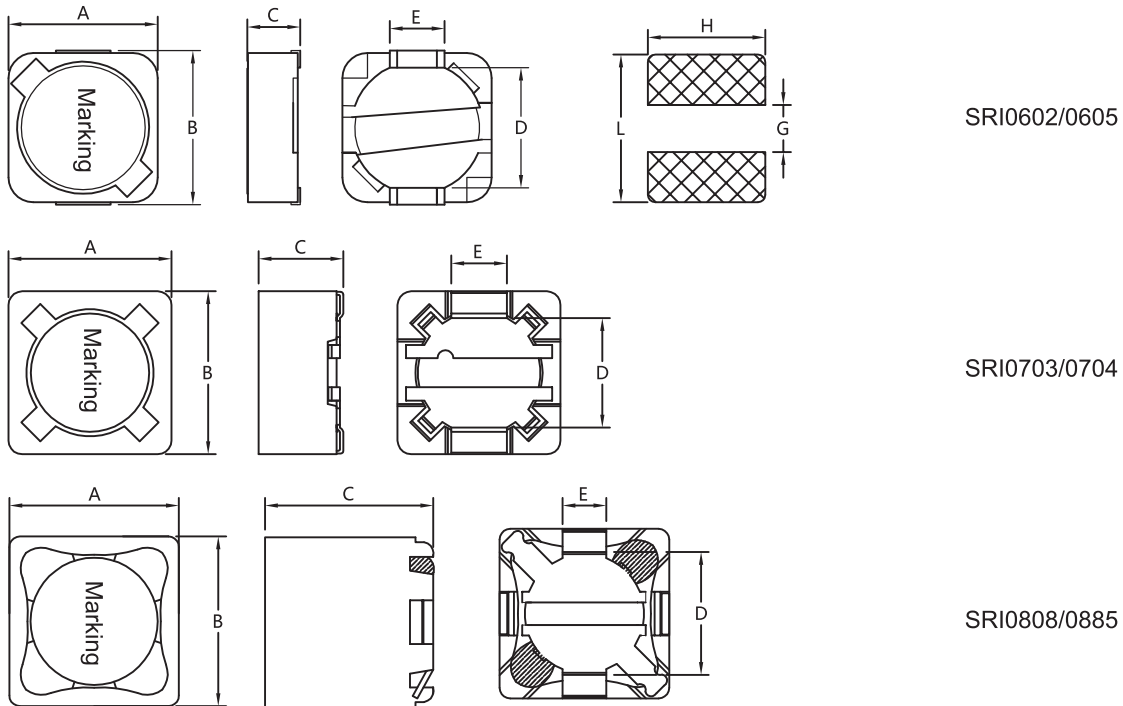
- Ideally used in Notebook PC, LCD TV,DVD, Game machine, STB ,Projectoretc as DC-DC converter inductors.

PRODUCT IDENTIFICATION

SRI 0704F – 4R7 M – T
 a b c d e

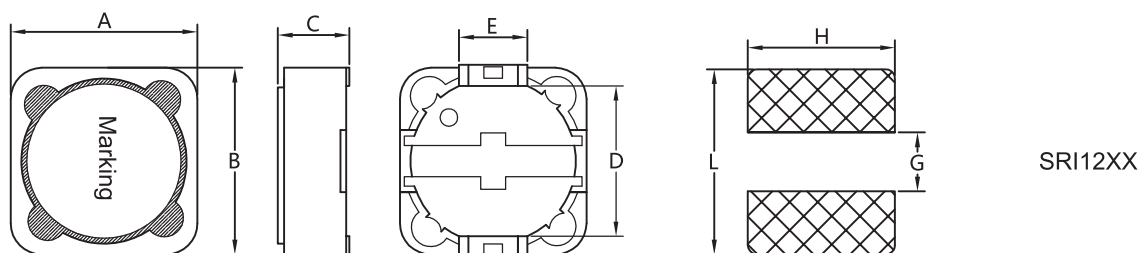
- a : Series name
- b : Product dimensions
- c : Inductance Value (1R0:1.0uH; 100: 10uH; 101:100uH)
- d : Inductance Tolerance (K:10% ; M:20% ; N:30%)
- e : Packaging style (T: Taping; B: bulk)

SHAPES AND DIMENSIONS Unit: mm



Series	Dimensions(mm)							
	A	B	C	D	E	L	G	H
SRI0602F	6.2±0.3	5.9±0.3	3.0 Max.	4.6±0.2	1.5	7.3	4.0	2.0
SRI0605F	6.2±0.3	5.9±0.3	4.5 Max.	4.6±0.2	1.5	7.3	4.0	2.0
SRI0703F	7.3±0.3	7.3±0.3	3.5 Max.	5.4±0.2	1.8	8.0	4.8	2.2
SRI0704F	7.3±0.3	7.3±0.3	4.5 Max.	5.4±0.2	1.8	8.0	4.8	2.2
SRI0808F	8.0±0.3	8.0±0.3	8.1 Max	6.1±0.2	2.3	8.5	5.0	2.7
SRI0885M	8.0±0.3	8.0±0.3	8.8 Max	6.1±0.2	2.3	8.5	5.0	2.7

► Shielded SMD Power Inductors ► SRI Series



Series	Dimensions(mm)							
	A	B	C	D	E	L	G	H
SRI1203F	12.0±0.3	12.0±0.3	4.0 Max.	7.6±0.2	5.0	12.6	7.0	5.4
SRI1204F	12.0±0.3	12.0±0.3	4.5 Max.	7.6±0.2	5.0	12.6	7.0	5.4
SRI1205F	12.0±0.3	12.0±0.3	6.0 Max.	7.6±0.2	5.0	12.6	7.0	5.4
SRI1207F	12.0±0.3	12.0±0.3	8.0 Max.	7.6±0.2	5.0	12.6	7.0	5.4
SRI1209F	12.0±0.3	12.0±0.3	10.0 Max.	7.6±0.2	5.0	12.6	7.0	5.4

ELECTRICAL CHARACTERISTICS

Part Number	L(uH)	Test Freq.(KHz)	DCR max.(Ω)	Rated Current(A)
SRI0602F-2R9NT	2.9	100	0.068	1.94
SRI0602F-4R0NT	4.0	100	0.080	1.63
SRI0602F-5R5NT	5.5	100	0.096	1.40
SRI0602F-6R3NT	6.3	100	0.100	1.30
SRI0602F-7R1NT	7.1	100	0.110	1.22
SRI0602F-8R0NT	8.0	100	0.120	1.15
SRI0602F-100MT	10	100	0.150	1.10
SRI0602F-120MT	12	100	0.200	1.00
SRI0602F-150MT	15	100	0.230	0.90
SRI0602F-180MT	18	100	0.270	0.80
SRI0602F-220MT	22	100	0.340	0.74
SRI0602F-270MT	27	100	0.380	0.66
SRI0602F-330MT	33	100	0.450	0.59
SRI0602F-390MT	39	100	0.490	0.54
SRI0602F-470MT	47	100	0.690	0.50
SRI0602F-560MT	56	100	0.780	0.46
SRI0602F-680MT	68	100	1.070	0.42
SRI0602F-820MT	82	100	1.210	0.38
SRI0602F-101MT	100	100	1.390	0.34
SRI0602F-121MT	120	100	1.900	0.31
SRI0602F-151MT	150	100	2.180	0.28
SRI0602F-181MT	180	100	2.770	0.26

Note:

Rated current: The DC current at which the inductance decreases to 75 % of its initial value or when $\Delta t = 40^{\circ}\text{C}$, whichever is lower($T_a = 20^{\circ}\text{C}$)

ELECTRICAL CHARACTERISTICS

Part Number	L(μH)	Test Freq.(KHz)	DCR max.(Ω)	Rated Current(A)
SRI0605F-100NT	10	100	0.120	1.35
SRI0605F-120MT	12	100	0.130	1.22
SRI0605F-150MT	15	100	0.180	1.11
SRI0605F-180MT	18	100	0.240	1.02
SRI0605F-220MT	22	100	0.270	0.91
SRI0605F-270MT	27	100	0.300	0.82
SRI0605F-330MT	33	100	0.330	0.74
SRI0605F-390MT	39	100	0.370	0.69
SRI0605F-470MT	47	100	0.520	0.62
SRI0605F-560MT	56	100	0.560	0.58
SRI0605F-680MT	68	100	0.630	0.51
SRI0605F-820MT	82	100	0.710	0.46
SRI0605F-101MT	100	100	1.030	0.42
SRI0605F-121MT	120	100	1.150	0.38
SRI0605F-151MT	150	100	1.680	0.35
SRI0605F-181MT	180	100	1.870	0.32
SRI0605F-221MT	220	100	2.080	0.29
SRI0605F-271MT	270	100	2.370	0.26
SRI0605F-331MT	330	100	2.670	0.23

Note:

Rated current: The DC current at which the inductance decreases to 75 % of its initial value or when $\Delta t = 40^{\circ}\text{C}$, whichever is lower ($T_a = 20^{\circ}\text{C}$)

ELECTRICAL CHARACTERISTICS

Part Number	L(uH)	Test Freq.(KHz)	DCR max.(Ω)	Rated Current(A)
SRI0703F-1R0NT	1.0	100	0.016	7.97
SRI0703F-1R5NT	1.5	100	0.023	5.50
SRI0703F-2R2NT	2.2	100	0.027	4.50
SRI0703F-3R3NT	3.3	100	0.031	4.00
SRI0703F-3R9NT	3.9	100	0.041	3.80
SRI0703F-4R7NT	4.7	100	0.048	3.50
SRI0703F-5R6NT	5.6	100	0.056	3.00
SRI0703F-6R8NT	6.8	100	0.062	2.50
SRI0703F-100NT	10	100	0.072	1.68
SRI0703F-120MT	12	100	0.098	1.52
SRI0703F-150MT	15	100	0.130	1.33
SRI0703F-180MT	18	100	0.140	1.20
SRI0703F-220MT	22	100	0.190	1.07
SRI0703F-270MT	27	100	0.210	0.96
SRI0703F-330MT	33	100	0.240	0.91
SRI0703F-390MT	39	100	0.320	0.77
SRI0703F-470MT	47	100	0.360	0.76
SRI0703F-560MT	56	100	0.470	0.68
SRI0703F-680MT	68	100	0.520	0.61
SRI0703F-820MT	82	100	0.690	0.57
SRI0703F-101MT	100	100	0.790	0.50
SRI0703F-121MT	120	100	0.890	0.49
SRI0703F-151MT	150	100	1.270	0.43
SRI0703F-181MT	180	100	1.450	0.39
SRI0703F-221MT	220	100	1.650	0.35
SRI0703F-271MT	270	100	2.310	0.32
SRI0703F-331MT	330	100	2.620	0.28
SRI0703F-391MT	390	100	2.940	0.26
SRI0703F-471MT	470	100	4.180	0.24
SRI0703F-561MT	560	100	4.670	0.22
SRI0703F-681MT	680	100	5.730	0.19
SRI0703F-821MT	820	100	6.540	0.18
SRI0703F-102MT	1000	100	9.440	0.16

Note:

Rated current: The DC current at which the inductance decreases to 75 % of its initial value or when $\Delta t = 40^{\circ}\text{C}$, whichever is lower ($T_a = 20^{\circ}\text{C}$)

ELECTRICAL CHARACTERISTICS

Part Number	L(μH)	Test Freq.(KHz)	DCR max.(Ω)	Rated Current(A)
SRI0704F-1R0NT	1.0	100	0.015	9.00
SRI0704F-1R5NT	1.5	100	0.018	7.00
SRI0704F-2R2NT	2.2	100	0.028	6.00
SRI0704F-3R3NT	3.3	100	0.032	4.80
SRI0704F-3R9NT	3.9	100	0.035	4.40
SRI0704F-4R7NT	4.7	100	0.038	4.00
SRI0704F-5R6NT	5.6	100	0.040	3.50
SRI0704F-6R8NT	6.8	100	0.045	3.00
SRI0704F-100NT	10	100	0.049	1.84
SRI0704F-120MT	12	100	0.058	1.71
SRI0704F-150MT	15	100	0.081	1.47
SRI0704F-180MT	18	100	0.091	1.31
SRI0704F-220MT	22	100	0.110	1.23
SRI0704F-270MT	27	100	0.150	1.12
SRI0704F-330MT	33	100	0.170	0.96
SRI0704F-390MT	39	100	0.230	0.91
SRI0704F-470MT	47	100	0.260	0.88
SRI0704F-560MT	56	100	0.350	0.80
SRI0704F-680MT	68	100	0.380	0.70
SRI0704F-820MT	82	100	0.430	0.61
SRI0704F-101MT	100	100	0.610	0.60
SRI0704F-121MT	120	100	0.660	0.52
SRI0704F-151MT	150	100	0.880	0.46
SRI0704F-181MT	180	100	0.980	0.42
SRI0704F-221MT	220	100	1.170	0.36
SRI0704F-271MT	270	100	1.640	0.34
SRI0704F-331MT	330	100	1.860	0.32
SRI0704F-391MT	390	100	2.850	0.29
SRI0704F-471MT	470	100	3.010	0.26
SRI0704F-561MT	560	100	3.620	0.23
SRI0704F-681MT	680	100	4.630	0.22
SRI0704F-821MT	820	100	5.200	0.20
SRI0704F-102MT	1000	100	6.000	0.18

Note:

Rated current: The DC current at which the inductance decreases to 75 % of its initial value or when $\Delta t = 40^{\circ}\text{C}$, whichever is lower($T_a = 20^{\circ}\text{C}$)

ELECTRICAL CHARACTERISTICS

Part Number	L(uH)	Test Freq.(KHz)	DCR max.(Ω)	Rated Current(A)
SRI0808F-1R0NT	1.0	100	0.010	9.50
SRI0808F-2R2NT	2.2	100	0.013	7.50
SRI0808F-3R3NT	3.3	100	0.015	6.80
SRI0808F-4R7NT	4.7	100	0.020	5.20
SRI0808F-6R8NT	6.8	100	0.030	4.10
SRI0808F-100MT	10	100	0.034	3.70
SRI0808F-120MT	12	100	0.039	3.50
SRI0808F-150MT	15	100	0.043	3.35
SRI0808F-180MT	18	100	0.052	3.10
SRI0808F-220MT	22	100	0.065	2.90
SRI0808F-270MT	27	100	0.072	2.65
SRI0808F-330MT	33	100	0.083	2.35
SRI0808F-390MT	39	100	0.091	2.20
SRI0808F-470MT	47	100	0.116	2.00
SRI0808F-560MT	56	100	0.135	1.80
SRI0808F-680MT	68	100	0.147	1.60
SRI0808F-820MT	82	100	0.163	1.45
SRI0808F-101MT	100	100	0.182	1.30
SRI0808F-121MT	120	100	0.205	1.20
SRI0808F-151MT	150	100	0.325	1.12
SRI0808F-181MT	180	100	0.427	1.00
SRI0808F-221MT	220	100	0.484	0.91
SRI0808F-271MT	270	100	0.650	0.82
SRI0808F-331MT	330	100	0.802	0.75
SRI0808F-391MT	390	100	1.140	0.70
SRI0808F-471MT	470	100	1.320	0.65
SRI0808F-561MT	560	100	1.560	0.60
SRI0808F-681MT	680	100	1.780	0.50
SRI0808F-821MT	820	100	1.930	0.45
SRI0808F-102MT	1000	100	2.650	0.40

Note:

Rated current: The DC current at which the inductance decreases to 75 % of its initial value or when $\Delta t = 40^{\circ}\text{C}$, whichever is lower ($T_a = 20^{\circ}\text{C}$)

ELECTRICAL CHARACTERISTICS

Part Number	L(uH)	Test Freq.(KHz)	DCR max.(Ω)	Isat.(A)	Irms.(A)
SRI0885M-1R2NT	1.2	100	0.007	13.0	10.0
SRI0885M-3R3NT	3.3	100	0.011	9.00	8.40
SRI0885M-4R7NT	4.7	100	0.015	7.50	7.00
SRI0885M-6R8NT	6.8	100	0.022	6.50	6.00
SRI0885M-100MT	10	100	0.031	6.00	5.20
SRI0885M-120MT	12	100	0.033	5.50	4.80
SRI0885M-150MT	15	100	0.037	5.00	4.50
SRI0885M-180MT	18	100	0.041	4.50	4.20
SRI0885M-220MT	22	100	0.049	4.00	3.70
SRI0885M-270MT	27	100	0.058	3.70	3.40
SRI0885M-330MT	33	100	0.075	3.40	3.10
SRI0885M-390MT	39	100	0.088	3.00	2.80
SRI0885M-470MT	47	100	0.102	2.70	2.50
SRI0885M-560MT	56	100	0.127	2.50	2.30
SRI0885M-680MT	68	100	0.142	2.25	2.20
SRI0885M-820MT	82	100	0.168	2.10	2.00
SRI0885M-101MT	100	100	0.195	2.00	1.85
SRI0885M-121MT	120	100	0.265	1.80	1.68
SRI0885M-151MT	150	100	0.302	1.60	1.50
SRI0885M-181MT	180	100	0.355	1.55	1.40
SRI0885M-221MT	220	100	0.397	1.50	1.30
SRI0885M-271MT	270	100	0.474	1.35	1.20
SRI0885M-331MT	330	100	0.550	1.20	1.10
SRI0885M-391MT	390	100	0.698	1.10	1.00
SRI0885M-471MT	470	100	0.822	0.90	0.85
SRI0885M-561MT	560	100	0.995	0.80	0.75
SRI0885M-681MT	680	100	1.220	0.73	0.70
SRI0885M-821MT	820	100	1.510	0.68	0.65
SRI0885M-102MT	1000	100	1.780	0.62	0.60

Note:

Isat: DC current at which the inductance drops 35% from its value without current.

Irms: DC current that causes the temperature rise ($\Delta T = 40^{\circ}\text{C}$) from 20°C ambient

ELECTRICAL CHARACTERISTICS

Part Number	L(uH)	Test Freq.(KHz)	DCR max.(Ω)	Rated Current(A)
SRI1203F-6R8NT	6.8	100	0.035	5.00
SRI1203F-8R2NT	8.2	100	0.046	4.50
SRI1203F-100NT	10	100	0.050	4.00
SRI1203F-120MT	12	100	0.054	3.85
SRI1203F-150MT	15	100	0.061	3.60
SRI1203F-180MT	18	100	0.090	3.40
SRI1203F-220MT	22	100	0.100	3.20
SRI1203F-270MT	27	100	0.114	3.00
SRI1203F-330MT	33	100	0.156	2.50
SRI1203F-390MT	39	100	0.188	2.35
SRI1203F-470MT	47	100	0.220	2.30
SRI1203F-560MT	56	100	0.260	2.20
SRI1203F-680MT	68	100	0.280	1.80
SRI1203F-820MT	82	100	0.380	1.70
SRI1203F-101MT	100	100	0.440	1.66
SRI1203F-121MT	120	100	0.480	1.50
SRI1203F-151MT	150	100	0.660	1.40
SRI1203F-181MT	180	100	0.860	1.20
SRI1203F-221MT	220	100	1.000	1.00
SRI1203F-271MT	270	100	1.100	0.85
SRI1203F-331MT	330	100	1.400	0.70
SRI1203F-391MT	390	100	1.600	0.60
SRI1203F-471MT	470	100	1.800	0.50

Note:

Rated current: The DC current at which the inductance decreases to 75 % of its initial value or when $\Delta t = 40^{\circ}\text{C}$, whichever is lower($T_a = 20^{\circ}\text{C}$)

ELECTRICAL CHARACTERISTICS

Part Number	L(μ H)	Test Freq.(KHz)	DCR max.(Ω)	Rated Current(A)
SRI1204F-3R9NT	3.9	100	0.015	6.5
SRI1204F-4R7NT	4.7	100	0.018	5.7
SRI1204F-6R8NT	6.8	100	0.023	4.9
SRI1204F-8R2NT	8.2	100	0.026	4.6
SRI1204F-100NT	10	100	0.028	4.5
SRI1204F-120MT	12	100	0.038	4.0
SRI1204F-150MT	15	100	0.050	3.2
SRI1204F-180MT	18	100	0.057	3.1
SRI1204F-220MT	22	100	0.066	2.9
SRI1204F-270MT	27	100	0.080	2.8
SRI1204F-330MT	33	100	0.097	2.7
SRI1204F-390MT	39	100	0.132	2.1
SRI1204F-470MT	47	100	0.160	1.9
SRI1204F-560MT	56	100	0.190	1.8
SRI1204F-680MT	68	100	0.220	1.5
SRI1204F-820MT	82	100	0.260	1.3
SRI1203F-101MT	100	100	0.308	1.2
SRI1204F-121MT	120	100	0.380	1.1
SRI1204F-151MT	150	100	0.530	0.95
SRI1204F-181MT	180	100	0.620	0.85
SRI1204F-221MT	220	100	0.700	0.80
SRI1204F-271MT	270	100	0.870	0.60
SRI1204F-331MT	330	100	0.990	0.50

Note:

Rated current: The DC current at which the inductance decreases to 75 % of its initial value or when $\Delta t = 40^{\circ}\text{C}$, whichever is lower($T_a = 20^{\circ}\text{C}$)

ELECTRICAL CHARACTERISTICS

Part Number	L(uH)	Test Freq.(KHz)	DCR max.(Ω)	Rated Current(A)
SRI1205F-1R3NT	1.3	100	0.012	8.00
SRI1205F-2R1NT	2.1	100	0.014	7.00
SRI1205F-3R1NT	3.1	100	0.017	6.00
SRI1205F-4R4NT	4.4	100	0.020	5.00
SRI1205F-5R8NT	5.8	100	0.021	4.40
SRI1205F-7R5NT	7.5	100	0.024	4.20
SRI1205F-100NT	10	100	0.025	4.00
SRI1205F-120MT	12	1.00	0.027	3.50
SRI1205F-150MT	15	1.00	0.030	3.30
SRI1205F-180MT	18	1.00	0.034	3.00
SRI1205F-220MT	22	1.00	0.036	2.80
SRI1205F-270MT	27	1.00	0.051	2.30
SRI1205F-330MT	33	1.00	0.057	2.10
SRI1205F-390MT	39	1.00	0.068	2.00
SRI1205F-470MT	47	1.00	0.075	1.80
SRI1205F-560MT	56	1.00	0.110	1.70
SRI1205F-680MT	68	1.00	0.120	1.50
SRI1205F-820MT	82	1.00	0.140	1.40
SRI1205F-101MT	100	1.00	0.160	1.30
SRI1205F-121MT	120	1.00	0.170	1.10
SRI1205F-151MT	150	1.00	0.230	1.00
SRI1205F-181MT	180	1.00	0.290	0.90
SRI1205F-221MT	220	1.00	0.400	0.80
SRI1205F-271MT	270	1.00	0.460	0.75
SRI1205F-331MT	330	1.00	0.510	0.68
SRI1205F-391MT	390	1.00	0.690	0.65
SRI1205F-471MT	470	1.00	0.770	0.58
SRI1205F-561MT	560	1.00	0.860	0.54
SRI1205F-681MT	680	1.00	1.200	0.48
SRI1205F-821MT	820	1.00	1.340	0.43
SRI1205F-102MT	1000	1.00	1.530	0.40

Note:

Rated current: The DC current at which the inductance decreases to 75 % of its initial value or when $\Delta t = 40^{\circ}\text{C}$, whichever is lower ($T_a = 20^{\circ}\text{C}$)

ELECTRICAL CHARACTERISTICS

Part Number	L(μH)	Test Freq.(KHz)	DCR max.(Ω)	Rated Current(A)
SRI1207F-1R2NT	1.2	100	0.007	9.80
SRI1207F-2R4NT	2.4	100	0.012	8.00
SRI1207F-3R5NT	3.5	100	0.014	7.50
SRI1207F-4R7NT	4.7	100	0.016	6.80
SRI1207F-6R1NT	6.1	100	0.018	6.60
SRI1207F-7R6NT	7.6	100	0.020	5.90
SRI1207F-100NT	10	1.00	0.022	5.40
SRI1207F-120MT	12	1.00	0.024	4.90
SRI1207F-150MT	15	1.00	0.030	4.50
SRI1207F-180MT	18	1.00	0.039	3.90
SRI1207F-220MT	22	1.00	0.043	3.60
SRI1207F-270MT	27	1.00	0.046	3.40
SRI1207F-330MT	33	1.00	0.065	3.00
SRI1207F-390MT	39	1.00	0.073	2.75
SRI1207F-470MT	47	1.00	0.100	2.50
SRI1207F-560MT	56	1.00	0.110	2.35
SRI1207F-680MT	68	1.00	0.140	2.10
SRI1207F-820MT	82	1.00	0.160	1.95
SRI1207F-101MT	100.	1.00	0.220	1.70
SRI1207F-121MT	120	1.00	0.250	1.60
SRI1207F-151MT	150	1.00	0.280	1.42
SRI1207F-181MT	180	1.00	0.350	1.30
SRI1207F-221MT	220	1.00	0.390	1.16
SRI1207F-271MT	270	1.00	0.560	1.06
SRI1207F-331MT	330	1.00	0.640	0.95
SRI1207F-391MT	390	1.00	0.700	0.88
SRI1207F-471MT	470	1.00	0.980	0.79
SRI1207F-561MT	560	1.00	1.070	0.73
SRI1207F-681MT	680	1.00	1.460	0.67
SRI1207F-821MT	820	1.00	1.640	0.60
SRI1207F-102MT	1000	1.00	1.820	0.55

Note:

Rated current: The DC current at which the inductance decreases to 75 % of its initial value or when $\Delta t = 40^{\circ}\text{C}$, whichever is lower($T_a = 20^{\circ}\text{C}$)

ELECTRICAL CHARACTERISTICS

Part Number	L(μH)	Test Freq.(KHz)	DCR max.(Ω)	Isat.(A)	Irms.(A)
SRI1209F-1R0NT	1.0	100	0.006	19.90	11.60
SRI1209F-1R8NT	1.8	100	0.007	13.40	11.00
SRI1209F-2R5NT	2.5	100	0.008	12.16	10.30
SRI1209F-3R5NT	3.5	100	0.010	12.00	8.70
SRI1209F-4R7NT	4.7	100	0.011	10.08	8.40
SRI1209F-6R8NT	6.8	100	0.013	8.56	7.10
SRI1209F-7R5NT	7.5	100	0.014	8.48	6.80
SRI1209F-100NT	10	1.00	0.018	7.12	6.95
SRI1209F-120MT	12	1.00	0.019	7.04	6.20
SRI1209F-150MT	15	1.00	0.026	5.84	5.22
SRI1209F-180MT	18	1.00	0.028	5.48	5.08
SRI1209F-220MT	22	1.00	0.029	5.12	4.95
SRI1209F-270MT	27	1.00	0.042	4.68	4.27
SRI1209F-330MT	33	1.00	0.053	4.25	3.60
SRI1209F-390MT	39	1.00	0.058	3.92	3.52
SRI1209F-470MT	47	1.00	0.063	3.60	3.45
SRI1209F-560MT	56	1.00	0.068	2.85	2.95
SRI1209F-680MT	68	1.00	0.093	2.76	2.85
SRI1209F-820MT	82	1.00	0.099	2.62	2.60
SRI1209F-101MT	100.	1.00	0.126	2.31	2.45
SRI1209F-121MT	120	1.00	0.154	2.05	2.20
SRI1209F-151MT	150	1.00	0.174	1.80	1.90
SRI1209F-181MT	180	1.00	0.191	1.66	1.86
SRI1209F-221MT	220	1.00	0.246	1.64	1.72
SRI1209F-271MT	270	1.00	0.314	1.46	1.50
SRI1209F-331MT	330	1.00	0.386	1.28	1.28
SRI1209F-391MT	390	1.00	0.428	1.17	1.26
SRI1209F-471MT	470	1.00	0.471	1.06	1.25
SRI1209F-561MT	560	1.00	0.650	1.01	0.98
SRI1209F-681MT	680	1.00	0.730	0.83	0.96
SRI1209F-821MT	820	1.00	0.824	0.81	0.94
SRI1209F-102MT	1000	1.00	1.220	0.70	0.78
SRI1209F-122MT	1200	1.00	1.330	0.64	0.69
SRI1209F-152MT	1500	1.00	1.990	0.56	0.58
SRI1209F-182MT	1800	1.00	2.180	0.48	0.54
SRI1209F-222MT	2200	1.00	2.580	0.43	0.52

Note:

Isat: DC current at which the inductance drops 25% from its value without current.

Irms: DC current that causes the temperature rise ($\Delta T = 40^{\circ}\text{C}$) from 20°C ambient